

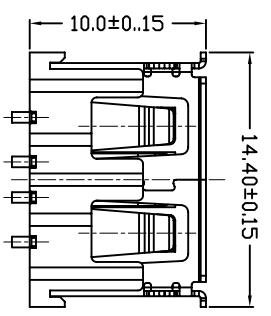
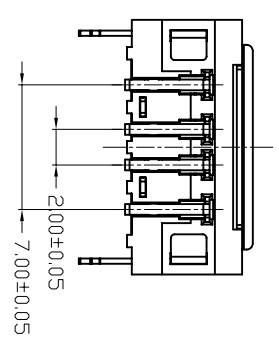
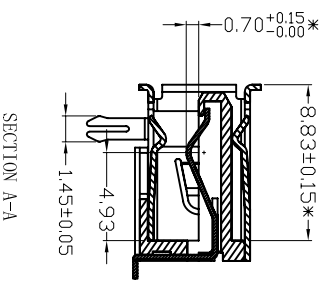
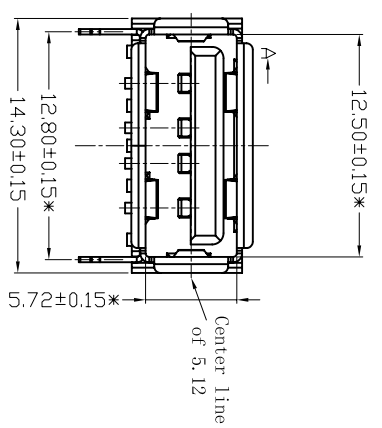
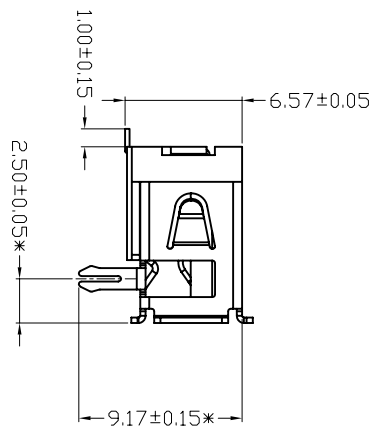
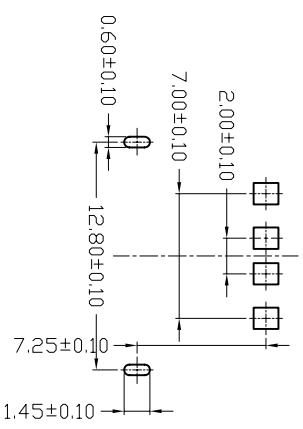
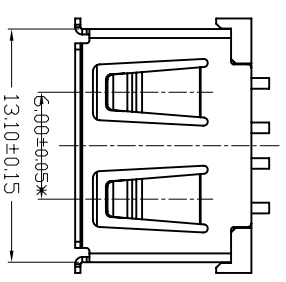
MAPX	MODIFICATION	DATE
------	--------------	------

NOTES:

1. HOUSING: SEE NOTES.
 TERMINAL: SEE NOTES.
 SELL: SEE NOTES.

SPECIFICATION:

- ELECTRICAL CHARACTERISTIC:
 CONTACT RESISTANCE: 30MΩ MAX
 DIELECTRIC WITHSTANDING VOLTAGE: 500V AC FOR 1MIN
 INSULATION RESISTANCE: 1000MΩ MIN
- MECHANICAL CHARACTERISTIC:
 INSERTION FORCE: 35N(3.57KGF) MAX
 EXTRACTION FORCE: 10~35N(1.02~3.57KGF) MIN
 DURABILITY: 1500 CYCLES EXTRACTION FORCE: 10~35N
 3000 CYCLES MIN
 5000 CYCLES EXTRACTION FORCE: 3~35N
- ENVIRONMENTAL:
 OPERATING TEMPERATURE: -55°C~85°C
- Contact finish:
 01: Selective Gold Flash
 02: Selective Gold 30"
 03: Selective Gold 50"
 04: Selective Gold 150"
 05: Selective Gold 300"



<p>产品图 PRODUCT CHART DWG</p>		<p>公差一览表 TOLERANCE UNLESS OTHERWISE</p>		<p>单位 UNITS</p>		<p>制图 DRAWING</p>		<p>制图料号 PRODUCT PART NO.</p>	
X	±0.25	X	±5°	MM	MM	Z-Y-B			
X	±0.20	X	±2°	1:1	审核 CHKD		产品名称 PRODUCT NO.	USB A/F SMT (10.0)有卷边	
XX	±0.15	XX	±1°	日期 DATE	核准 APPD		角法 VIEW	版本 VER	AD
XXX	±0.10	XXX	±0.5°	2012.06.15					

1 2 3 4 5 6 7 8 9 10

A B C D E F G